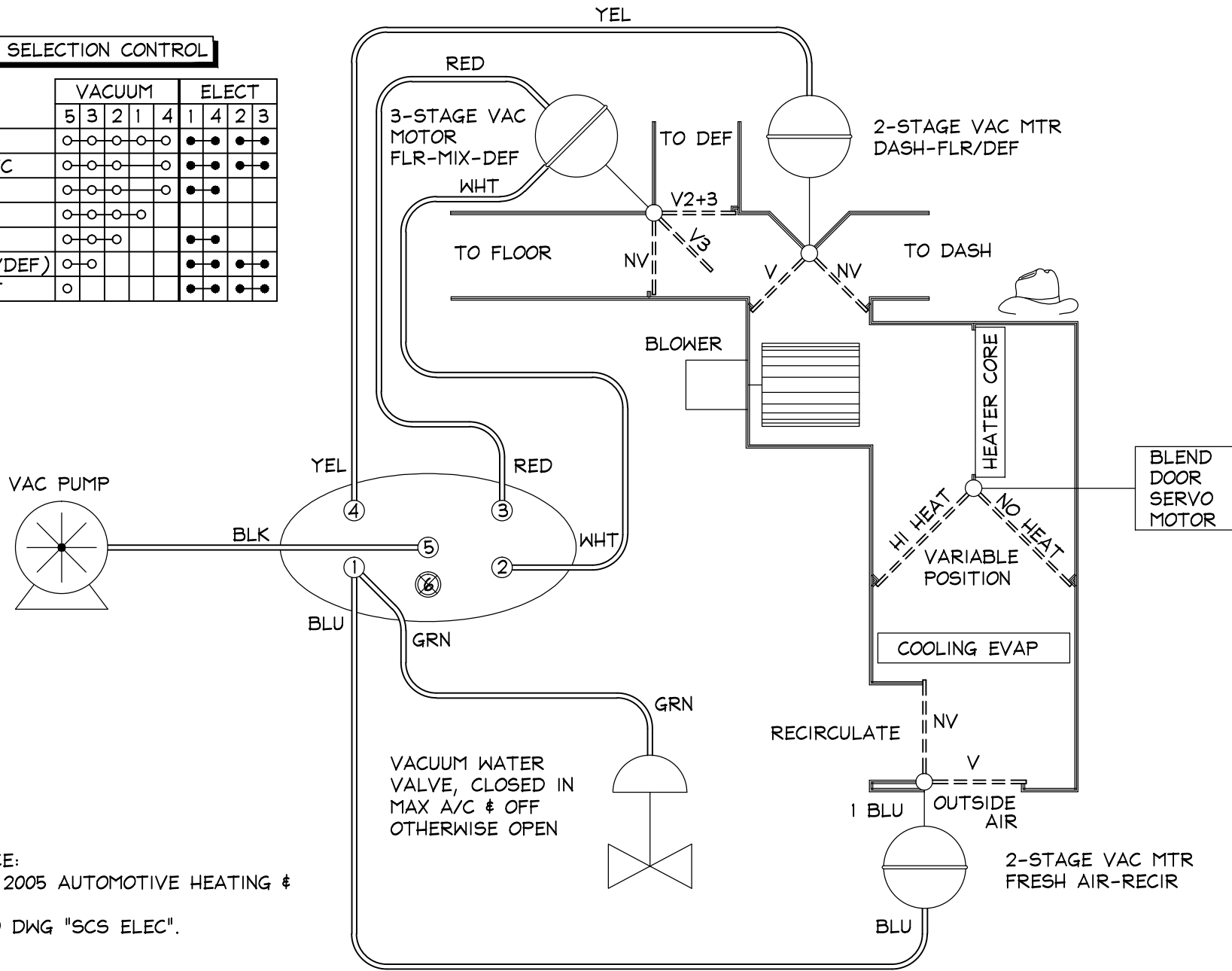


07/16/18 8:23:44 AM D:\MY DOCUMENTS\RV\07 JOURNEY 34H\JOURNEY CAD\SCS AC.DWG

MODE SELECTION CONTROL

	VACUUM				ELECT				
	5	3	2	1	4	1	4	2	3
MAX A/C	○	○	○	○	○	●	●	●	●
NORM A/C	○	○	○	○	○	●	●	●	●
VENT	○	○	○	○	○	●	●		
OFF	○	○	○	○					
FLOOR	○	○	○			●	●		
MIX(FLR/DEF)	○	○				●	●	●	●
DEFROST	○					●	●	●	●



REFERENCE:
 WIT TIPS 2005 AUTOMOTIVE HEATING &
 A/C
 SEE ALSO DWG "SCS ELEC".

SCALE: N/A	PROJECT: MOTORHOME	TITLE: SCS A/C CONTROLS	REVISION 0
DRAWN: JIM X	LOC: DASH A/C	DRG: SCS VAC	
DATE: 8/14/16	JOB NO: N/A	SCS AC.dwg	